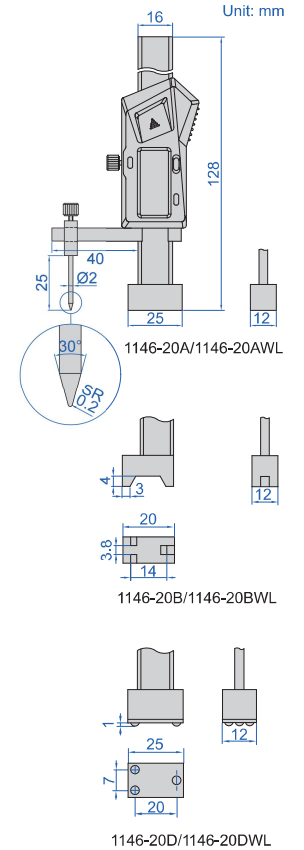
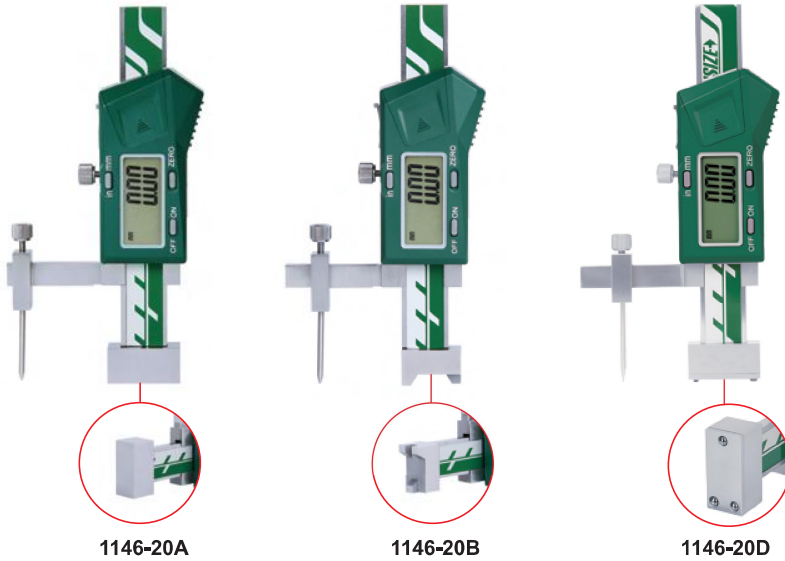
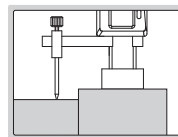


MINI DIGITAL HEIGHT GAUGES

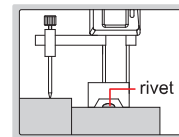


- Non waterproof
- Measure height difference of two surfaces (1146-20B/20BWL, 1146-20D/20DWL suitable for surfaces with barrier, such as rivet)
- Resolution: 0.01mm/0.0005"
- Buttons: on/off, zero, mm/inch
- Automatic power off, move the digital unit to turn on power
- Battery CR2032
- Made of stainless steel

application of 1146-20A/1146-20AWL



application of 1146-20B/20BWL and 1146-20D/20DWL



With data interface (optional wireless transmitter code 7315-25, receiver is needed)

Code	Range	Accuracy
1146-20A	0~±20mm/0~±0.8"	±0.02mm
1146-20B	0~±20mm/0~±0.8"	±0.02mm
1146-20D	0~±20mm/0~±0.8"	±0.02mm

Built-in wireless (receiver code 7315-2/3/6/7/8/9 is needed)

Code	Range	Accuracy
1146-20AWL	0~±20mm/0~±0.8"	±0.02mm
1146-20BWL	0~±20mm/0~±0.8"	±0.02mm
1146-20DWL	0~±20mm/0~±0.8"	±0.02mm