

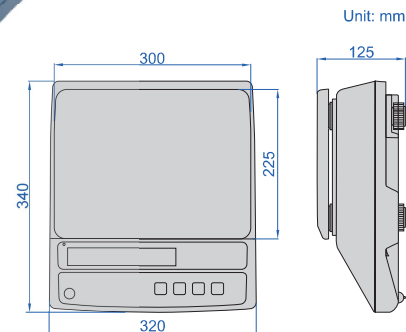
CHECKING WEIGHT SCALES

- Double weighing pan in 304 stainless steel and plastic
- Zero-setting, weighing, subtracting tare value, checking alarm
- LCD display, with backlight
- Automatic power off
- Unit: kg, g, t_j, H_j, t(ola), lb, oz, lb-oz



printer (optional)

8004-6



SPECIFICATION

Code	8004-6	8004-15	8004-30	8004-6D	8004-15D	8004-30D
Weighing capacity	6kg	15kg	30kg	6kg	15kg	30kg
Minimal load	10g	20g	40g	10g	20g	40g
Readability (d)	0.5g	1g	2g	0.5g	1g	2g
Repeatability	±0.5g	±1g	±2g	±0.5g	±1g	±2g
Linearity	±1.5g	±3g	±6g	±1.5g	±3g	±6g
Stabilization time	2s					
Dimension of pan	300×225mm					
Output	no			RS232		
Operation temperature	-10~40°C					
Operation humidity	≤85%RH					
Power supply	rechargeable lead acid battery (6V/4Ah)					
Dimension (L×W×H)	340×320×125mm					

OPTIONAL ACCESSORY (for scales with RS232)

Printer	8391-PRN10
---------	------------