

## ELECTRONIC ANTIMAGNETIC BALANCES

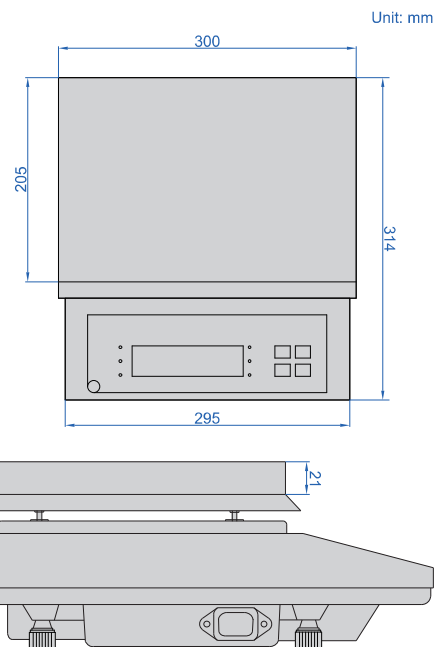
DATA  
OUTPUT

- Aluminum alloy base, wooden pallet
- Zero-setting, weighing, subtracting tare value, simple counting
- Data output
- Unit: kg, lb



printer (optional)

8106-30KG



### SPECIFICATION

Dimension of pan	300×205mm
Output	RS232
Operation temperature	0~40°C
Operation humidity	≤80%RH
Power supply	Input voltage: 220V, rechargeable lead acid battery (6V/4Ah)
Dimension (L×W×H)	314×300×127mm

Code	Weighing capacity	Minimal load	Readability (d)	Repeatability	Linearity	Stabilization time
8106-3KG	3kg	2g	0.1g	±0.2g	±0.3g	4s
8106-6KG	6kg	2g	0.1g	±0.3g	±0.4g	4s
8106-10KG	10kg	20g	1g	±2g	±2g	3s
8106-20KG	20kg	20g	1g	±2g	±3g	3s
8106-30KG	30kg	20g	1g	±2g	±4g	4s

### OPTIONAL ACCESSORY

RS232 cable	8301-CABLE*
Data output cable (keyboard format)	7302-8301
Wireless transmitter	7315-8301**
Printer	8391-PRN10

\* Used to connect with computers

\*\* Receivers are needed: code 7315-2/3/6/7/8/9