

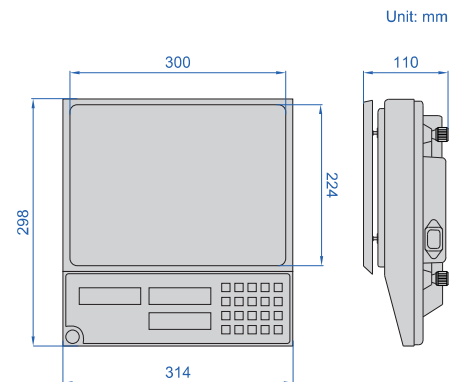
## COUNTING SCALES

DATA  
OUTPUT

- Double weighing pan in 304 stainless steel and plastic
- Zero-setting, weighing, subtracting tare value, counting
- Checking alarm, accumulation
- Data output
- Unit: kg, lb



8107-3



### SPECIFICATION

Code	8107-3	8107-6	8107-15	8107-30
Weighing capacity	3kg	6kg	15kg	30kg
Minimal load	2g	4g	25g	20g
Readability (d)	0.1g	0.2g	0.5g	1g
Repeatability	±0.1g	±0.2g	±0.5g	±1g
Linearity	±0.3g	±0.4g	±1g	±2g
Stabilization time	2s			
Dimension of pan	300×224mm			
Output	RS232			
Operation temperature	0~40°C			
Operation humidity	≤80%RH			
Power supply	Input voltage: 220V, rechargeable lead acid battery (6V/4Ah)			
Dimension (L×W×H)	314×298×110mm			



printer (optional)

### OPTIONAL ACCESSORY

RS232 cable	8301-CABLE*
Printer	8303-PRINTER

\* Used to connect with computers