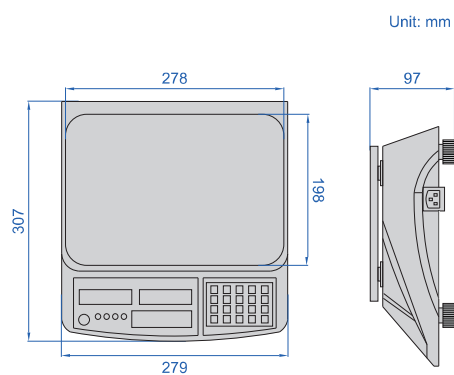


COUNTING SCALES (BASIC TYPE)

- Double weighing pan in 430 stainless steel and plastic
- Zero-setting, weighing, subtracting tare value
- Accumulation, counting
- Upper and lower limit alarms: quantity, weight
- LCD display, with backlight
- Unit: kg, lb



8108-6



alarm light (optional)



printer (optional)



large display (optional)

SPECIFICATION

Code	8108-6	8108-15	8108-30	8108-6D	8108-15D	8108-30D
Weighing capacity	6kg	15kg	30kg	6kg	15kg	30kg
Minimal load	4g	10g	20g	4g	10g	20g
Readability (d)	0.2g	0.5g	1g	0.2g	0.5g	1g
Repeatability	±0.4g	±1g	±2g	±0.4g	±1g	±2g
Linearity	±1g	±2.5g	±5g	±1g	±2.5g	±5g
Stabilization time	3s					
Dimension of pan	278×198mm					
Output	no			RS232		
Operation temperature	0~40°C					
Operation humidity	≤85%RH					
Power supply	rechargeable lead acid battery (6V/4Ah)					
Dimension (L×W×H)	307×279×97mm					

OPTIONAL ACCESSORY (for scales with RS232)

Alarm light	customizable
Large display	8007-SCREEN
Printer	8391-PRN10