

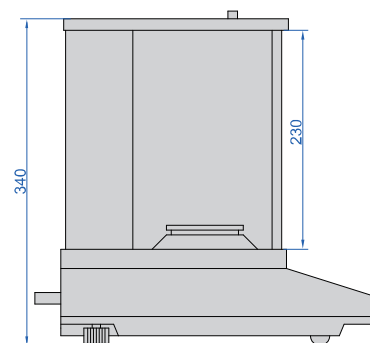
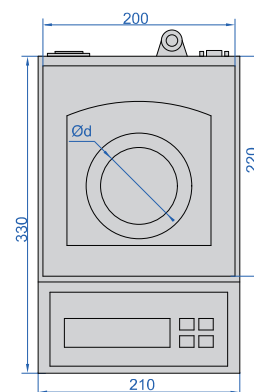
- Electromagnetic balanced sensor
- Aluminum alloy shell, wind shield, three side glass sliding doors
- Zero-setting, weighing, subtracting tare value, simple counting
- LCD display, with backlight
- Data output
- Unit: g, ct, ozt, oz, GN, dwt, mg
- With a hook at the bottom


 class F1 calibration weight  
(included)


printer (optional)


**8303-520**
**ELECTRONIC PRECISION BALANCES**

Unit: mm


**SPECIFICATION**

Code	8303-220	8303-320	8303-520	8303-620	8303-1020	8303-1520	8303-2020
<b>Weighing capacity</b>	220g	320g	520g	620g	1020g	1520g	2020g
<b>Minimal load</b>	20mg	20mg	100mg	100mg	100mg	100mg	100mg
<b>Readability (d)</b>	1mg	1mg	1mg	1mg	1mg	1mg	1mg
<b>Repeatability</b>	±2mg	±2mg	±2mg	±2mg	±3mg	±3mg	±4mg
<b>Linearity</b>	±3mg	±3mg	±3mg	±3mg	±4mg	±5mg	±5mg
<b>Stabilization time</b>	2s		3s			5s	
<b>Dimension of pan (Ød)</b>	Ø80mm				Ø120mm		
<b>Output</b>	RS232						
<b>Operation temperature</b>	15~30°C		18~23°C				
<b>Operation humidity</b>	40~80%RH		50~70%RH				
<b>Power supply</b>	220V, 50/60Hz						
<b>Dimension (L×W×H)</b>	330×210×340mm						

**STANDARD DELIVERY**

<b>Main unit</b>	1 pc
<b>Calibration weight</b>	1 pc

**OPTIONAL ACCESSORY**

<b>RS232 cable</b>	<b>8301-CABLE*</b>
<b>Data output cable (keyboard format)</b>	<b>7302-8301</b>
<b>Wireless transmitter</b>	<b>7315-8301**</b>
<b>Printer</b>	<b>8391-PRN10</b>

\* Used to connect with computers

\*\* Receivers are needed: code 7315-2/3/6/7/8/9