

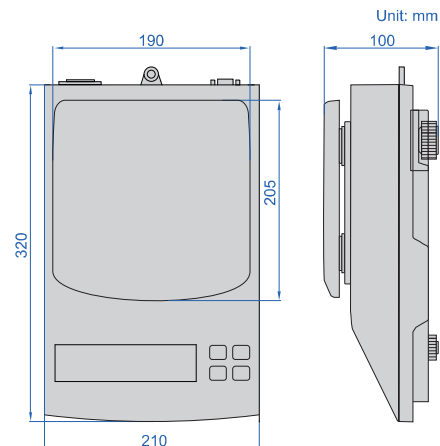
ELECTRONIC BALANCES (STANDARD TYPE)

DATA OUTPUT

- Zero-setting, weighing, subtracting tare value, simple counting
- LCD display, with backlight
- Data output
- Unit: g, ct, ozt, oz, GN, dwt, lb, kg
- With a hook at the bottom



8305-5000



printer (optional)



calibration weight
(included in 8305-2000
and 8305-3000)

SPECIFICATION

Code	8305-2000	8305-3000	8305-5000	8305-6000
Weighing capacity	2kg	3kg	5kg	6kg
Minimal load	0.5g	0.5g	0.5g	0.5g
Readability (d)	0.01g	0.01g	0.01g	0.01g
Repeatability	±0.02g	±0.02g	±0.03g	±0.03g
Linearity	±0.03g	±0.04g	±0.05g	±0.05g
Stabilization time	3s		4s	
Dimension of pan	205×190mm			
Output	RS232			
Operation temperature	0~40°C			
Operation humidity	≤80%RH			
Power supply	220V, 50/60Hz			
Dimension (L×W×H)	320×210×100mm			

OPTIONAL ACCESSORY

RS232 cable	8301-CABLE*
Data output cable (keyboard format)	7302-8301
Wireless transmitter	7315-8301**
Printer	8391-PRN10

* Used to connect with computers

** Receivers are needed: code 7315-2/3/6/7/8/9