

INDUSTRIAL ELECTRONIC BALANCES

DATA
OUTPUT

- Double weighing pan in 304 stainless steel and plastic
- Zero-setting, weighing, subtracting tare value, simple counting
- Checking alarm, accumulation, percentage display
- LCD display, with backlight
- Data output
- Automatic power off
- Unit: kg, lb, g, oz, t(ola)



printer (optional)

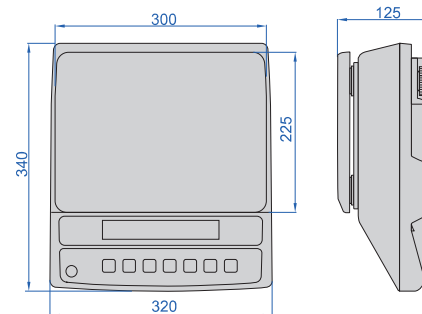


alarm light (optional)



8307-15K

Unit: mm



SPECIFICATION

Dimension of pan	300×225mm
Output	RS232
Operation temperature	-10~40°C
Operation humidity	30~80%RH
Power supply	rechargeable lead acid battery (6V/4Ah)
Dimension (L×W×H)	340×320×125mm

Code	Weighing capacity	Minimal load	Readability (d)	Repeatability	Linearity	Stabilization time
8307-15K	15kg	5g	0.1g	±0.3g	m≤5kg: ±0.4g; m>5kg: ±0.7g	3s
8307-30K	30kg	10g	0.2g	±0.2g	m≤5kg: ±0.4g; m>5kg: ±0.6g	3s
8307-6KA	6kg	5g	0.1g	±0.2g	±0.3g	2s
8307-15KA	15kg	10g	0.2g	±0.2g	±0.4g	2s
8307-3KB	3kg	2g	0.1g	±0.1g	±0.3g	2s
8307-6KB	6kg	10g	0.2g	±0.2g	±0.4g	2s
8307-30KB	30kg	20g	1g	±1g	±3g	2s

OPTIONAL ACCESSORY

Data output cable (keyboard format)	7302-8001
Wireless transmitter	7315-8001*
Printer	8391-PRN10
Alarm light	8001-ALARM

* Receivers are needed: code 7315-2/3/6/7/8/9