

INDUSTRIAL ELECTRONIC BALANCES

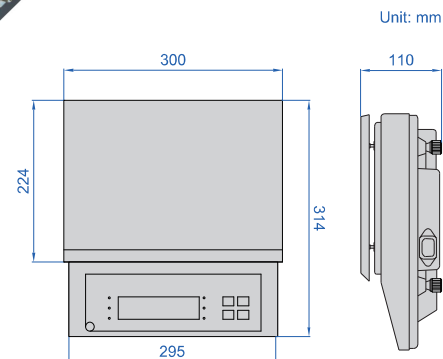
DATA
OUTPUT

- Double weighing pan in 304 stainless steel and plastic
- Zero-setting, weighing, subtracting tare value, simple counting
- Data output
- Unit: kg, lb



printer (optional)

8308-30KB



SPECIFICATION

| | |
|-----------------------|--|
| Dimension of pan | 300×224mm |
| Output | RS232 |
| Operation temperature | 0~40°C |
| Operation humidity | ≤80%RH |
| Power | Input voltage: 220V, rechargeable lead acid battery (6V/4Ah) |
| Dimension (L×W×H) | 314×300×110mm |

| Code | Weighing capacity | Minimal load | Readability (d) | Repeatability | Linearity | Stabilization time |
|-----------|-------------------|--------------|-----------------|---------------|-----------|--------------------|
| 8308-3K | 3kg | 2g | 0.1g | ±0.1g | ±0.2g | 2s |
| 8308-6K | 6kg | 2g | 0.1g | ±0.2g | ±0.3g | 3s |
| 8308-10K | 10kg | 20g | 1g | ±1g | ±1g | 3s |
| 8308-15K | 15kg | 25g | 0.5g | ±0.5g | ±0.5g | 3s |
| 8308-20K | 20kg | 20g | 1g | ±1g | ±2g | 3s |
| 8308-30K | 30kg | 20g | 1g | ±1g | ±2g | 3s |
| 8308-3KA | 3kg | 10g | 0.5g | ±0.5g | ±0.5g | 3s |
| 8308-6KA | 6kg | 10g | 0.5g | ±0.5g | ±0.5g | 3s |
| 8308-15KA | 15kg | 20g | 1g | ±1g | ±2g | 3s |
| 8308-30KA | 30kg | 100g | 5g | ±5g | ±5g | 3s |
| 8308-10KB | 10kg | 5g | 0.1g | ±0.1g | ±0.3g | 3s |
| 8308-20KB | 20kg | 5g | 0.1g | ±0.2g | ±0.4g | 4s |
| 8308-30KB | 30kg | 5g | 0.1g | ±0.2g | ±0.5g | 5s |

OPTIONAL ACCESSORY

| | |
|-------------------------------------|-------------|
| RS232 cable | 8301-CABLE* |
| Data output cable (keyboard format) | 7302-8301 |
| Wireless transmitter | 7315-8301** |
| Printer | 8391-PRN10 |

* Used to connect with computers

** Receivers are needed: code 7315-2/3/6/7/8/9