

INDUSTRIAL ELECTRONIC BALANCES (ADVANCED TYPE)

TOUCH SCREEN

HIGH ACCURACY

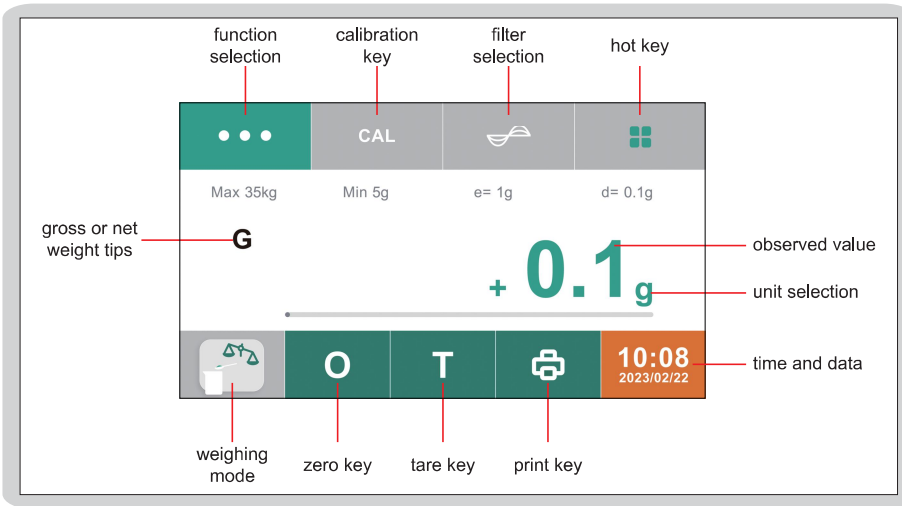
DATA OUTPUT

CAN BE CUSTOMIZED

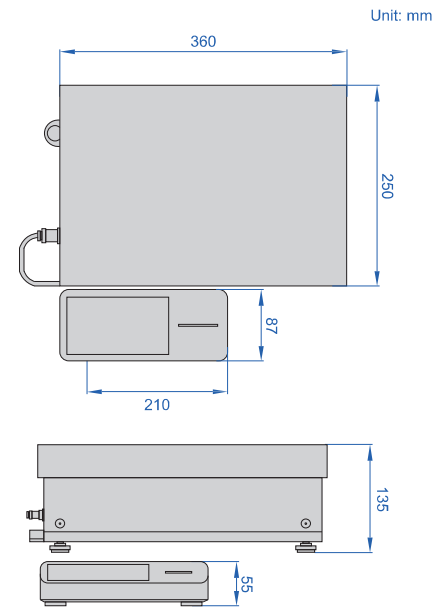
- Electromagnetic balanced sensor
- Compensates for zero stability and weighing accuracy by loading accurately at multiple temperature points
- 304 stainless steel weighing pan, acid and corrosion resistant
- Zero-setting, weighing, subtracting tare value
- Administrator permissions
- Split-type touchscreen display
- Data output
- Manual screen off, screen saver
- Unit: g, kg, lb, ct



8309-35



weighing test Interface



SPECIFICATION

Dimension of pan	360×250mm
Output	DB9, Type-C, RS485
Communication protocols	compatible with SBI (RS232) and SICS communication protocols
Operation temperature	10~30°C
Operation humidity	30~80%RH
Power supply	power adapter (5V/2A)

Code	Weighing capacity	Minimal load	Readability (d)	Repeatability	Linearity	Stabilization time	Calibration method	Weight of calibration
8309-16	16kg	5g	0.1g	±0.1g	±0.2g	1.5s	external calibration	10kg
8309-20	20kg	5g	0.1g	±0.1g	±0.2g	2s		20kg
8309-30	30kg	5g	0.1g	±0.2g	±0.3g	2s		10kg
8309-35	35kg	5g	0.1g	±0.2g	±0.3g	3s		20kg
8309-16A	16kg	5g	0.05g	±0.05g	±0.15g	2s		10kg
8309-20A	20kg	5g	0.05g	±0.05g	±0.15g	2s		20kg
8309-30A	30kg	5g	0.05g	±0.1g	±0.25g	3s		10kg
8309-35A	35kg	5g	0.05g	±0.1g	±0.25g	4s		20kg

Measurement functions:



Weighing

This application determines the weight of the object to be weighed within the specific weighing range of the device



Mixing

The application allows up to 99 ingredients for a mixture or recipe to be placed sequentially in a container. After each placement of an ingredient, the balance will automatically tare the weight and can display the individual or total weight of the ingredients



Statistic

The application can save up to 99 weighing values and calculated values, and perform statistical evaluations



Component

The application can sum up to 99 weighing values, can weigh components in different containers, and can tare each container before weighing each component



Density

The application can determine the density of solid materials based on the buoyancy method (**powder density cannot be tested, no density components are supplied as standard**)



Percentage

This application allows the determination of the percentage or percentage difference of the weighed object based on a reference weight



Transition

The application can multiply the weighing value with a customisable coefficient to obtain a converted measurement, the last entered coefficient is saved when the power supply is interrupted



Animal weighing

The application is suitable for moving weights (e.g. live animals) and for weighing in unstable environments, where a measuring cycle with a defined number of measurements is performed automatically for each object to be weighed, the average value is determined from the individual measurements and displayed as a result



Check weighing

The application checks that the weighing value is within the specified upper and lower limits and determines the test result, allowing weighing of a specific rated weight



Peak holding

This application determines the maximum weighing value (peak value) of a sample and displays the value for up to 5 seconds after the balance has been unloaded



Counting

The application counts almost identical piece weights by comparing them to a reference sample

STANDARD DELIVERY

Main unit	1 pc
RS232 cable*	1 pc
Touch screen indicator	1 pc

* Used to connect computers

OPTIONAL ACCESSORY

Printer	8309-PRINTER
Charge pal	1155-5-POB



printer (optional)



charge pal (optional)