

## ELECTRONIC BALANCES

TOUCH  
SCREEN

DATA  
OUTPUT

- Electromagnetic balanced sensor
- Zero-setting, weighing, subtracting tare value, simple counting
- Accumulation, animal scale, percentage display
- 4.3-inch touch color screen
- Data output
- Unit: g, ct, oz, mg
- With a hook at the bottom



printer (optional)

horizontal bubble

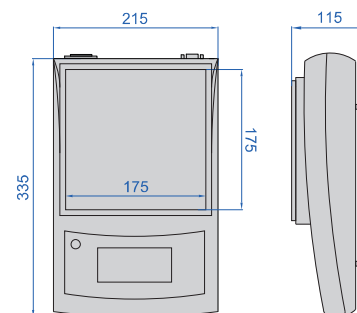


8315-5000

### SPECIFICATION

Code	8315-2000	8315-3000	8315-5000	8315-6000
Weighing capacity	2kg	3kg	5kg	6kg
Minimal load	0.5g	0.5g	0.5g	0.5g
Readability (d)	0.01g	0.01g	0.01g	0.01g
Repeatability	±0.01g	±0.01g	±0.02g	±0.02g
Linearity	±0.02g	±0.02g	±0.04g	±0.05g
Stabilization time	2s		3s	
Dimension of pan	175×175mm			
Output	RS232			
Operation temperature	0~40°C			
Operation humidity	≤80%RH			
Power supply	220V, 50/60Hz			
Dimension (L×W×H)	335×215×105mm			

Unit: mm



### OPTIONAL ACCESSORY

RS232 cable	8315-CABLE*
Printer	8303-PRINTER

\* Used to connect with computers