

ELECTRONIC PRECISION BALANCES

TOUCH
SCREEN

INTERNAL
CALIBRATION

DATA
OUTPUT

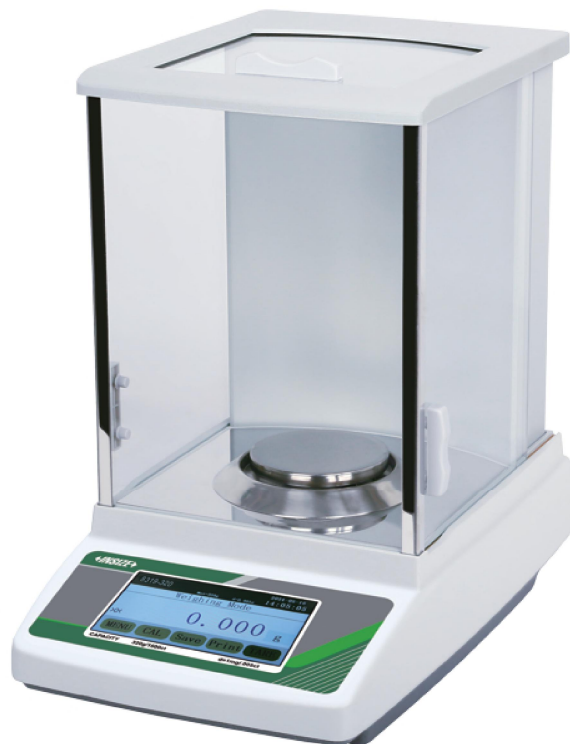
- Electromagnetic balanced sensor
- Built-in calibration weights, automatic internal calibration
- Aluminum alloy shell, wind shield, three side glass sliding doors
- Zero-setting, weighing, subtracting tare value, simple counting
- Animal scale, percentage display, density detection
- Large touchscreen display
- Data output
- Unit: g, ct, ozt, oz, GN, dwt, mg
- With a hook at the bottom



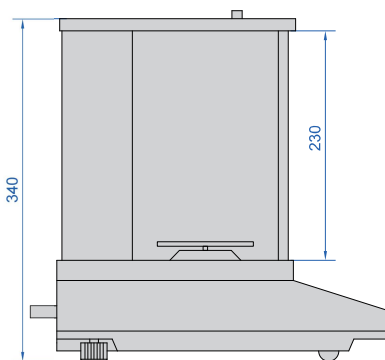
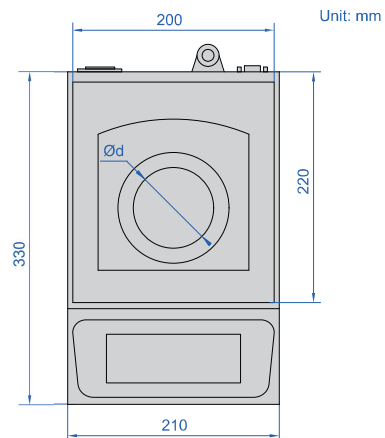
class F1 calibration weight
(included)



printer (optional)



8319-320



SPECIFICATION

Code	8319-220	8319-320	8319-520	8319-620	8319-1020	8319-1520
Weighing capacity	220g	320g	520g	620g	1020g	1520g
Minimal load	20mg	20mg	100mg	100mg	100mg	100mg
Readability (d)	1mg	1mg	1mg	1mg	1mg	1mg
Repeatability	±2mg	±2mg	±2mg	±2mg	±3mg	±3mg
Linearity	±3mg	±3mg	±3mg	±3mg	±4mg	±5mg
Stabilization time	2s		3s			5s
Dimension of pan (Ød)	Ø90mm				Ø120mm	
Output	RS232					
Operation temperature	15~30°C		18~23°C			
Operation humidity	40~80%RH		50~70%RH			
Power supply	220V, 50/60Hz					
Dimension (L×W×H)	330×210×340mm					

STANDARD DELIVERY

Main unit	1 pc
Calibration weight	1 pc

OPTIONAL ACCESSORY

RS232 cable	8301-CABLE*
Data output cable (keyboard format)	7302-8301
Wireless transmitter	7315-8301**
Printer	8391-PRN10

* Used to connect with computers

** Receivers are needed: code 7315-2/3/6/7/8/9