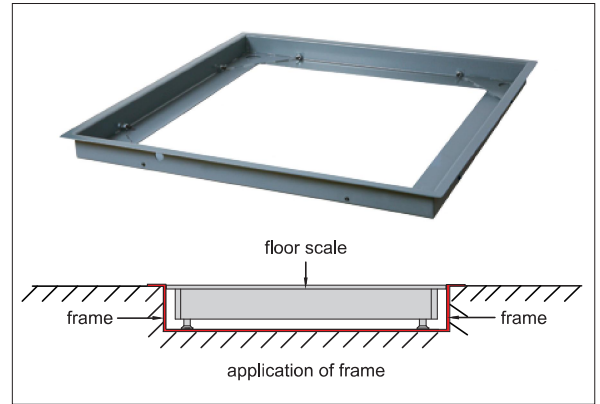
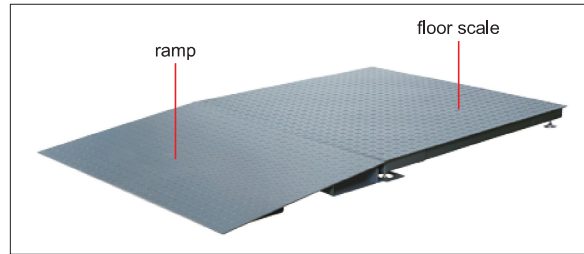
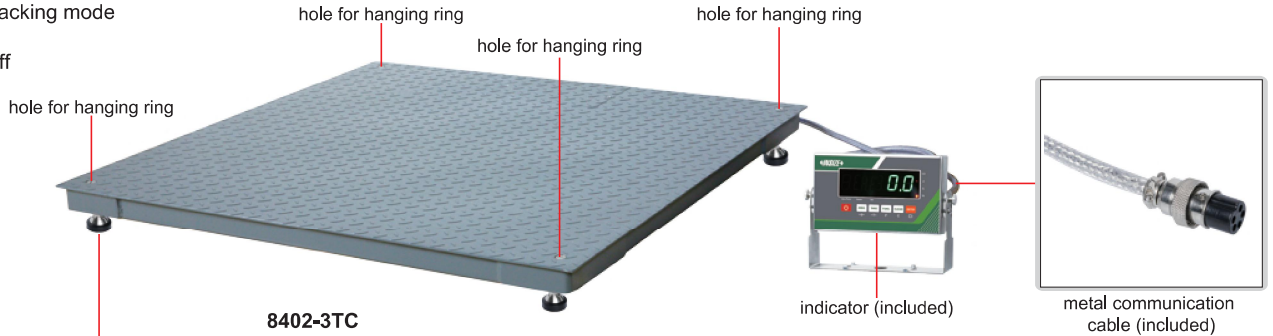


HIGH PRECISION FLOOR SCALES

- CAN BE CUSTOMIZED
- HIGH ACCURACY
- DATA OUTPUT
- BUILT-IN BLUETOOTH

- Zero-setting, weighing, subtracting tare value, simple counting
- Checking alarm, animal scale
- Peak (max.) and tracking mode
- Data output
- Automatic power off
- Unit: kg, lb



SPECIFICATION

Code	Weighing capacity	Minimal load	Readability (d)	Repeatability	Linearity	Dimension of platform
8402-1TA	1t	4kg	0.2kg	±0.2kg	±0.2kg	800×800mm
8402-2TA	2t	4kg	0.2kg	±0.2kg	±0.2kg	
8402-3TA	3t	4kg	0.2kg	±0.2kg	±0.4kg	
8402-4TA	4t	10kg	0.5kg	±0.5kg	±1kg	
8402-5TA	5t	10kg	0.5kg	±1kg	±1.5kg	
8402-1TB	1t	4kg	0.2kg	±0.2kg	±0.2kg	1000×1000mm
8402-2TB	2t	4kg	0.2kg	±0.2kg	±0.2kg	
8402-3TB	3t	4kg	0.2kg	±0.2kg	±0.4kg	
8402-4TB	4t	10kg	0.5kg	±0.5kg	±1kg	
8402-5TB	5t	10kg	0.5kg	±1kg	±1.5kg	
8402-1TC	1t	4kg	0.2kg	±0.2kg	±0.2kg	1200×1200mm
8402-2TC	2t	4kg	0.2kg	±0.2kg	±0.2kg	
8402-3TC	3t	4kg	0.2kg	±0.2kg	±0.4kg	
8402-4TC	4t	10kg	0.5kg	±0.5kg	±1kg	
8402-5TC	5t	10kg	0.5kg	±1kg	±1.5kg	
8402-1TD	1t	4kg	0.2kg	±0.2kg	±0.2kg	1500×1200mm
8402-2TD	2t	4kg	0.2kg	±0.2kg	±0.2kg	
8402-3TD	3t	4kg	0.2kg	±0.2kg	±0.4kg	
8402-4TD	4t	10kg	0.5kg	±0.5kg	±1kg	
8402-5TD	5t	10kg	0.5kg	±1kg	±1.5kg	
8402-1TE	1t	4kg	0.2kg	±0.2kg	±0.2kg	1500×1500mm
8402-2TE	2t	4kg	0.2kg	±0.2kg	±0.2kg	
8402-3TE	3t	4kg	0.2kg	±0.2kg	±0.4kg	
8402-4TE	4t	10kg	0.5kg	±0.5kg	±1kg	
8402-5TE	5t	10kg	0.5kg	±1kg	±1.5kg	
8402-1TF	1t	10kg	0.5kg	±1kg	±1.5kg	2000×2000mm
8402-2TF	2t	10kg	0.5kg	±1kg	±1.5kg	
8402-3TF	3t	10kg	0.5kg	±1kg	±1.5kg	
8402-4TF	4t	20kg	1kg	±2kg	±5kg	
8402-5TF	5t	20kg	1kg	±3kg	±5kg	

SPECIFICATION

Material of platform	carbon steel
Material of indicator	304 stainless steel
Output	RS232
Operation temperature	-10~40°C
Operation humidity	30~80%RH
Power supply	3.7V rechargeable Li-ion battery



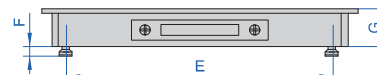
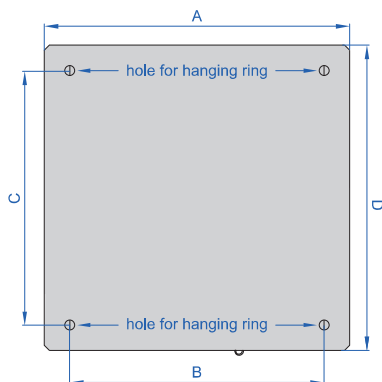
printer (optional)

STANDARD DELIVERY

Main unit	1 pc
Indicator	1 pc
Power adapter	1 pc
Universal foot	4 pcs
Hanging ring	4 pcs

OPTIONAL ACCESSORY

Ramp	customizable
Frame	customizable
Alarm light	8402-ALARM (must be supplied with scales together)
Stainless steel stand	8402-STAND
Printer	8402-PRINTER



Unit: mm

Code	A	B	C	D	E	F	G
8402-1TA	800	640	640	800	640	40	81
8402-2TA	800	640	640	800	640	40	81
8402-3TA	800	640	640	800	640	40	81
8402-4TA	800	640	640	800	640	38	83
8402-5TA	800	640	640	800	640	38	83
8402-1TB	1000	840	840	1000	840	40	81
8402-2TB	1000	840	840	1000	840	40	81
8402-3TB	1000	840	840	1000	840	40	81
8402-4TB	1000	840	840	1000	840	38	83
8402-5TB	1000	840	840	1000	840	38	83
8402-1TC	1200	1040	1040	1200	1040	40	81
8402-2TC	1200	1040	1040	1200	1040	40	81
8402-3TC	1200	1040	1040	1200	1040	40	81
8402-4TC	1200	1040	1040	1200	1040	38	83
8402-5TC	1200	1040	1040	1200	1040	38	83

Unit: mm

Code	A	B	C	D	E	F	G
8402-1TD	1200	1040	1340	1500	1040	40	81
8402-2TD	1200	1040	1340	1500	1040	40	81
8402-3TD	1200	1040	1340	1500	1040	40	81
8402-4TD	1200	1040	1340	1500	1040	38	83
8402-5TD	1200	1040	1340	1500	1040	38	83
8402-1TE	1500	1340	1340	1500	1340	40	81
8402-2TE	1500	1340	1340	1500	1340	40	81
8402-3TE	1500	1340	1340	1500	1340	40	81
8402-4TE	1500	1340	1340	1500	1340	38	83
8402-5TE	1500	1340	1340	1500	1340	38	83
8402-1TF	2000	1840	1840	2000	1840	40	81
8402-2TF	2000	1840	1840	2000	1840	40	81
8402-3TF	2000	1840	1840	2000	1840	40	81
8402-4TF	2000	1840	1840	2000	1840	38	83
8402-5TF	2000	1840	1840	2000	1840	38	83