

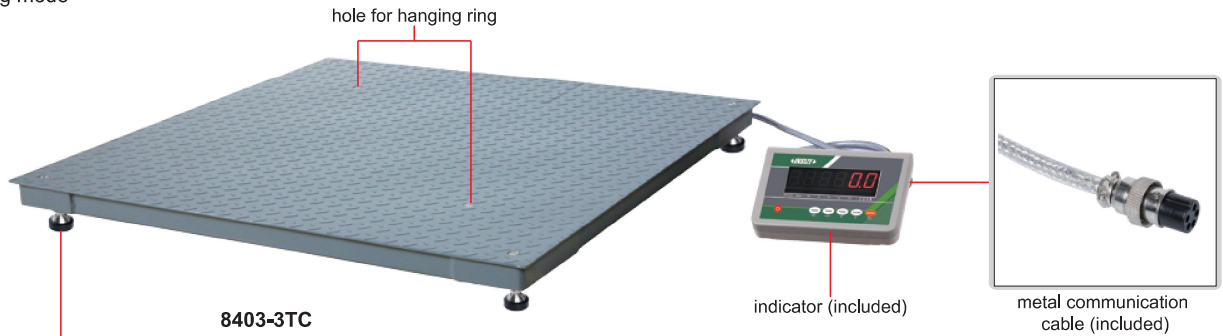
FLOOR SCALES (STANDARD TYPE)

CAN BE CUSTOMIZED

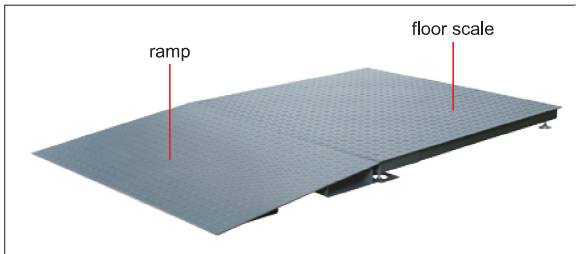
DATA OUTPUT

BUILT-IN BLUETOOTH

- Zero-setting, weighing, subtracting tare value, simple counting
- Checking alarm, animal scale
- Peak (max.) and tracking mode
- Data output
- Automatic power off
- Unit: kg, lb



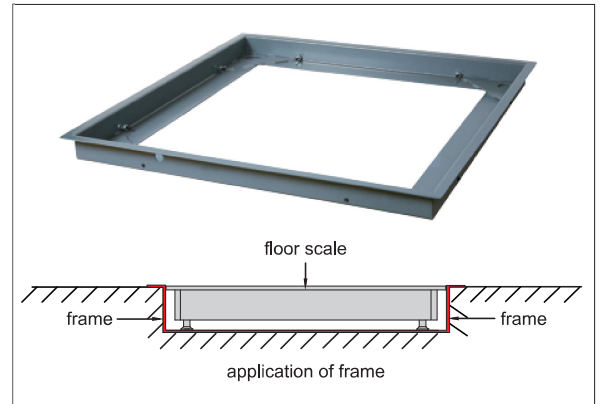
universal foot (included)



ramp (optional)



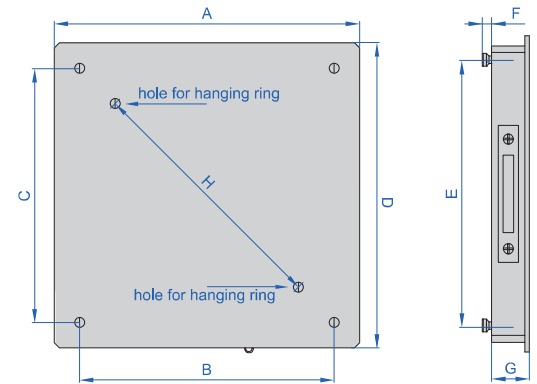
stainless steel stand (optional)



frame (optional)

SPECIFICATION

Code	Weighing capacity	Minimal load	Readability (d)	Repeatability	Linearity	Dimension of platform
8403-1TA	1t	10kg	0.5kg	±0.5kg	±1.5kg	800×800mm
8403-2TA	2t	10kg	0.5kg	±0.5kg	±1.5kg	
8403-3TA	3t	10kg	0.5kg	±1kg	±2.5kg	1000×1000mm
8403-1TB	1t	10kg	0.5kg	±0.5kg	±1.5kg	
8403-2TB	2t	10kg	0.5kg	±0.5kg	±1.5kg	1200×1200mm
8403-3TB	3t	10kg	0.5kg	±1kg	±2.5kg	
8403-1TC	1t	10kg	0.5kg	±0.5kg	±1.5kg	1500×1500mm
8403-2TC	2t	10kg	0.5kg	±0.5kg	±1.5kg	
8403-3TC	3t	10kg	0.5kg	±1kg	±2.5kg	1500×1500mm
8403-1TD	1t	10kg	0.5kg	±0.5kg	±1.5kg	
8403-2TD	2t	10kg	0.5kg	±0.5kg	±1.5kg	
8403-3TD	3t	10kg	0.5kg	±1kg	±2.5kg	



Unit: mm

Material of platform	carbon steel
Material of indicator	ABS plastic
Output	RS232
Operation temperature	-10~40°C
Operation humidity	30~80%RH
Power supply	3.7V rechargeable Li-ion battery

Dimension of platform	A	B	C	D	E	F	G	H
800×800	800	640	640	800	640	45	76	640
1000×1000	1000	840	840	1000	840	45	76	848
1200×1200	1200	1040	1040	1200	1040	45	76	1131
1500×1500	1500	1340	1340	1500	1340	45	76	1555

STANDARD DELIVERY

Main unit	1 pc
Indicator	1 pc
Power adapter	1 pc
Universal foot	4 pcs
Hanging ring	2 pcs

OPTIONAL ACCESSORY

Ramp	customizable
Frame	customizable
Alarm light	8403-ALARM (must be supplied with scales together)
Stainless steel stand	8403-STAND
Printer	8403-PRINTER



printer (optional)