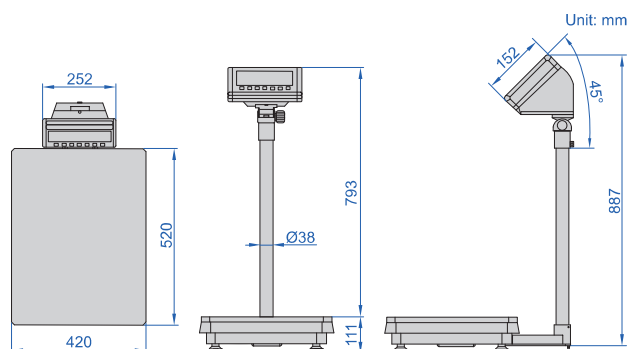


DATA  
OUTPUT

CAN BE  
CUSTOMIZED

## PLATFORM SCALES

- Zero-setting, weighing, subtracting tare value, simple counting
- Checking alarm, accumulation, animal scale, keyboard lock
- LCD display, with backlight
- Data output
- Automatic power off
- Unit: kg, lb, g, oz, t(ola)



8501-AL150



printer (optional)



alarm light (optional)

### SPECIFICATION

Code	8501-AL60	8501-AL150	8501-AL300
Weighing capacity	60kg	150kg	300kg
Minimal load	100g	200g	400g
Readability (d)	5g	10g	20g
Repeatability	±5g	±10g	±20g
Linearity	±10g	±20g	±40g
Stabilization time	3s		
Dimension of pan	520×420mm		
Material	platform: stainless steel, base: die-cast aluminum		
Output	RS232		
Operation temperature	-10~40°C		
Operation humidity	≤80%RH		
Power supply	rechargeable lead acid battery (6V/4Ah)		
Dimension (L×W×H)	520×420×887mm		

### OPTIONAL ACCESSORY

Data output cable (keyboard format)	7302-8001
Wireless transmitter	7315-8001*
Printer	8391-PRN10
Alarm light	8001-ALARM

\* Receivers are needed: code 7315-2/3/6/7/8/9