

# ELECTRONIC PLATFORM SCALES (BASIC TYPE)

CAN BE CUSTOMIZED

DATA OUTPUT

- Zero-setting, weighing, subtracting tare value, simple counting
- Data output
- Unit: kg, lb

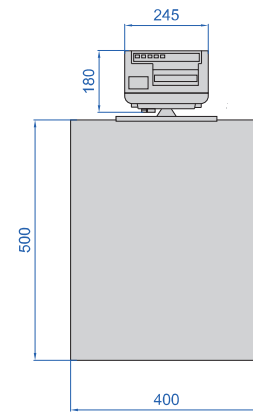
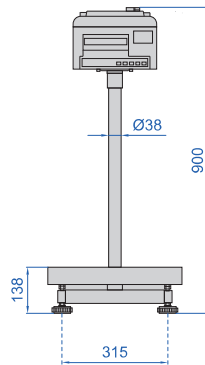
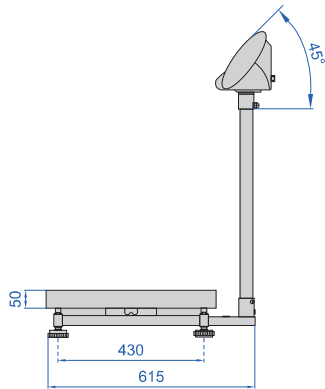


printer (optional)



8508-61KA

Unit: mm



## SPECIFICATION

Dimension of pan	500×400mm
Output	RS232
Material	platform: stainless steel, base: carbon steel
Operation temperature	-10~40°C
Operation humidity	30~80%RH
Power supply	rechargeable lead acid battery (6V/4Ah)
Dimension (L×W×H)	580×400×900mm

Code	Weighing capacity	Minimal load	Readability (d)	Repeatability	Linearity	Stabilization time
8508-61KA	61kg	20g	1g	±2g	±3g	3s
8508-110KA	110kg	50g	1g	±2g	±3g	
8508-160KA	160kg	50g	1g	±3g	±5g	
8508-61K	61kg	200g	10g	±20g	±30g	2s
8508-110K	110kg	200g	10g	±20g	±30g	
8508-160K	160kg	200g	10g	±20g	±30g	
8508-210K	210kg	200g	10g	±20g	±30g	
8508-310K	310kg	200g	10g	±30g	±50g	

## OPTIONAL ACCESSORY

RS232 cable	8306-CABLE*
Printer	8391-PRN10

\* Used to connect with computers