

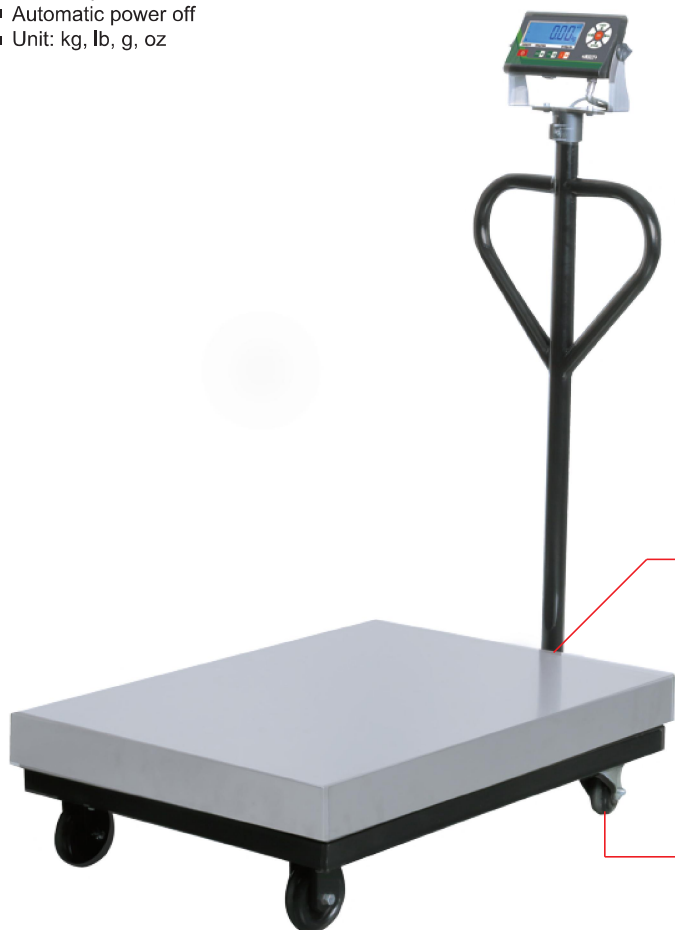
## SCALE CARTS

ATTENTION: DO NOT  
MOVE DURING WEIGHING

CAN BE  
CUSTOMIZED

DATA  
OUTPUT

- Zero-setting, weighing, subtracting tare value, simple counting
- Checking alarm, accumulation, animal scale
- Upper and lower limit alarms: quantity, weight
- Resistant rubber with cloverleaf handle-bar
- LCD display, with backlight
- Data output
- Automatic power off
- Unit: kg, lb, g, oz



8802-300

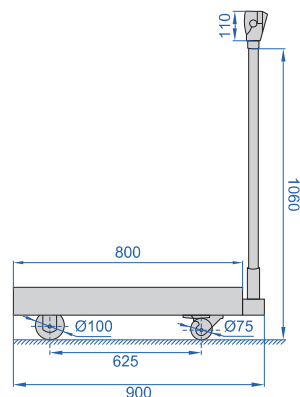
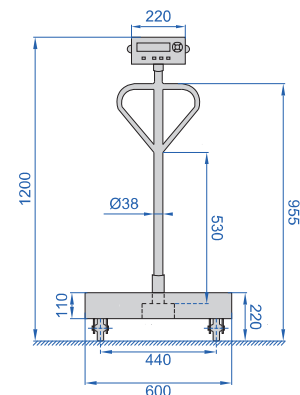


horizontal bubble



brake

Unit: mm



### SPECIFICATION

|                       |                                  |
|-----------------------|----------------------------------|
| Material of platform  | 201 stainless steel              |
| Material of indicator | ABS plastic                      |
| Output                | RS232                            |
| Operation temperature | -10~40°C                         |
| Operation humidity    | ≤85%RH                           |
| Power supply          | 7.4V rechargeable Li-ion battery |
| Dimension (L×W×H)     | 900×600×1200mm                   |

| Code     | Weighing capacity | Minimal load | Readability (d) | Repeatability | Linearity | Dimension of platform (L×W) |
|----------|-------------------|--------------|-----------------|---------------|-----------|-----------------------------|
| 8802-300 | 300kg             | 1kg          | 50g             | ±100g         | ±250g     | 800×600mm                   |
| 8802-600 | 600kg             | 2kg          | 100g            | ±200g         | ±500g     |                             |