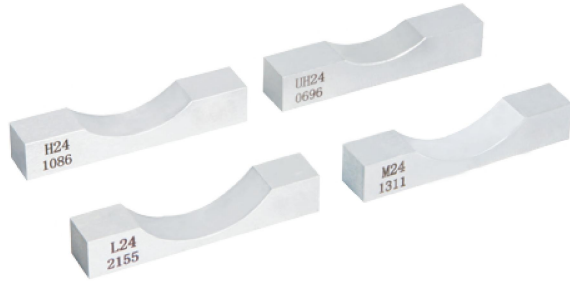
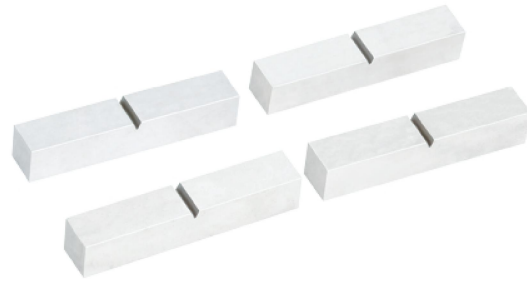


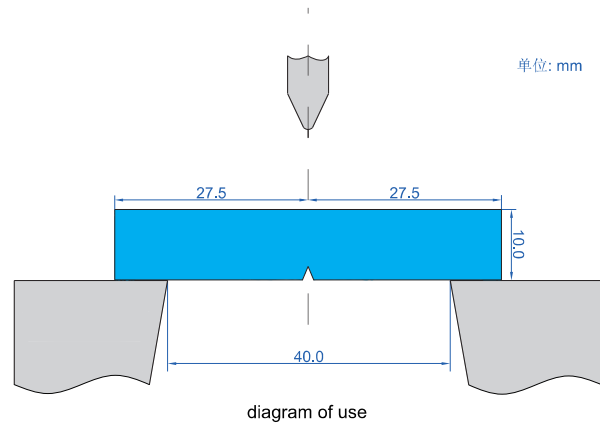
IMPACT STANDARD SAMPLES



arc standard samples



V-notch standard samples



- It can avoid the defects of the direct test method that cannot accurately evaluate the measurement accuracy of the impact testing machine
- It can comprehensively verify the measurement characteristics of the impact test machine
- It can quantitatively verify the accuracy of the measured value of the impact testing machine
- Ability to evaluate the uncertainty of the test machine
- It has two specifications, national standard R2 and American standard R8, with a size of 55×10×10mm
- Supplied with manufacturer inspection certificate

SPECIFICATION

Code	Type of notch	Energy level	Impact blade (mm)	Impact value*	Application temperature	Qty
ITM-BR1	arc notch	low: L	R2	28.6J	normal temperature	5 pcs
ITM-BR2	arc notch	medium: M	R2	81.9J	normal temperature	5 pcs
ITM-BR3	arc notch	high: H	R2	127J	normal temperature	5 pcs
ITM-BR5	arc notch	ultra-high: UH	R2	232J	normal temperature	5 pcs
ITM-BR6	arc notch	low: L	R8	29.6J	normal temperature	5 pcs
ITM-BR7	arc notch	medium: M	R8	93J	normal temperature	5 pcs
ITM-BR8	arc notch	high: H	R8	142J	normal temperature	5 pcs
ITM-BR10	arc notch	ultra-high: UH	R8	266J	normal temperature	5 pcs
ITM-BR11	V-notch	low: L	R2	20.7J	normal temperature	5 pcs
ITM-BR12	V-notch	medium: M	R2	107.8J	normal temperature	5 pcs
ITM-BR13	V-notch	high: H	R2	155.9J	normal temperature	5 pcs
ITM-BR14	V-notch	low: L	R8	13.6J	normal temperature	5 pcs
ITM-BR15	V-notch	medium: M	R8	106.1J	normal temperature	5 pcs
ITM-BR16	V-notch	high: H	R8	160J	normal temperature	5 pcs
ITM-BR17	V-notch	low: L	R2	28.6J	-30°C±1°C	5 pcs
ITM-BR18	V-notch	medium: M	R2	81.9J	-30°C±1°C	5 pcs
ITM-BR19	V-notch	high: H	R2	127J	-30°C±1°C	5 pcs
ITM-BR20	V-notch	low: L	R8	29.6J	-30°C±1°C	5 pcs
ITM-BR21	V-notch	medium: M	R8	93J	-30°C±1°C	5 pcs
ITM-BR22	V-notch	high: H	R8	142J	-30°C±1°C	5 pcs

*The actual value may be slightly different when delivered, please refer to the manufacturer inspection certificate.