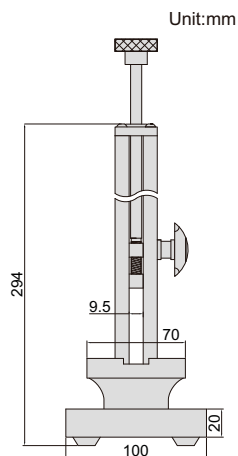


BORE GAGE SETTER



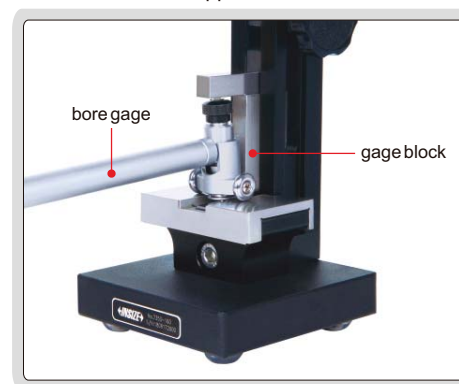
7353-160



horizontal use



application



- Vertical and horizontal use
- To be used with gage blocks

Code	Range	Repeatability	Remark
7353-160	0-160mm	1.2μm	with gage block set
7353-160W	0-160mm	1.2μm	without gage block set

Gage block set for 7353-160

Blocks per set	Size(mm)	Step(mm)	Quantity(pcs)	Remark
33	1.005		1	grade2 (ISO3650)
	1.01-1.09	0.01	9	
	1.1-1.9	0.1	9	
	1-9	1	9	
	10-30	10	3	
	50		1	
	100		1	

gage blocks for 7353-160

