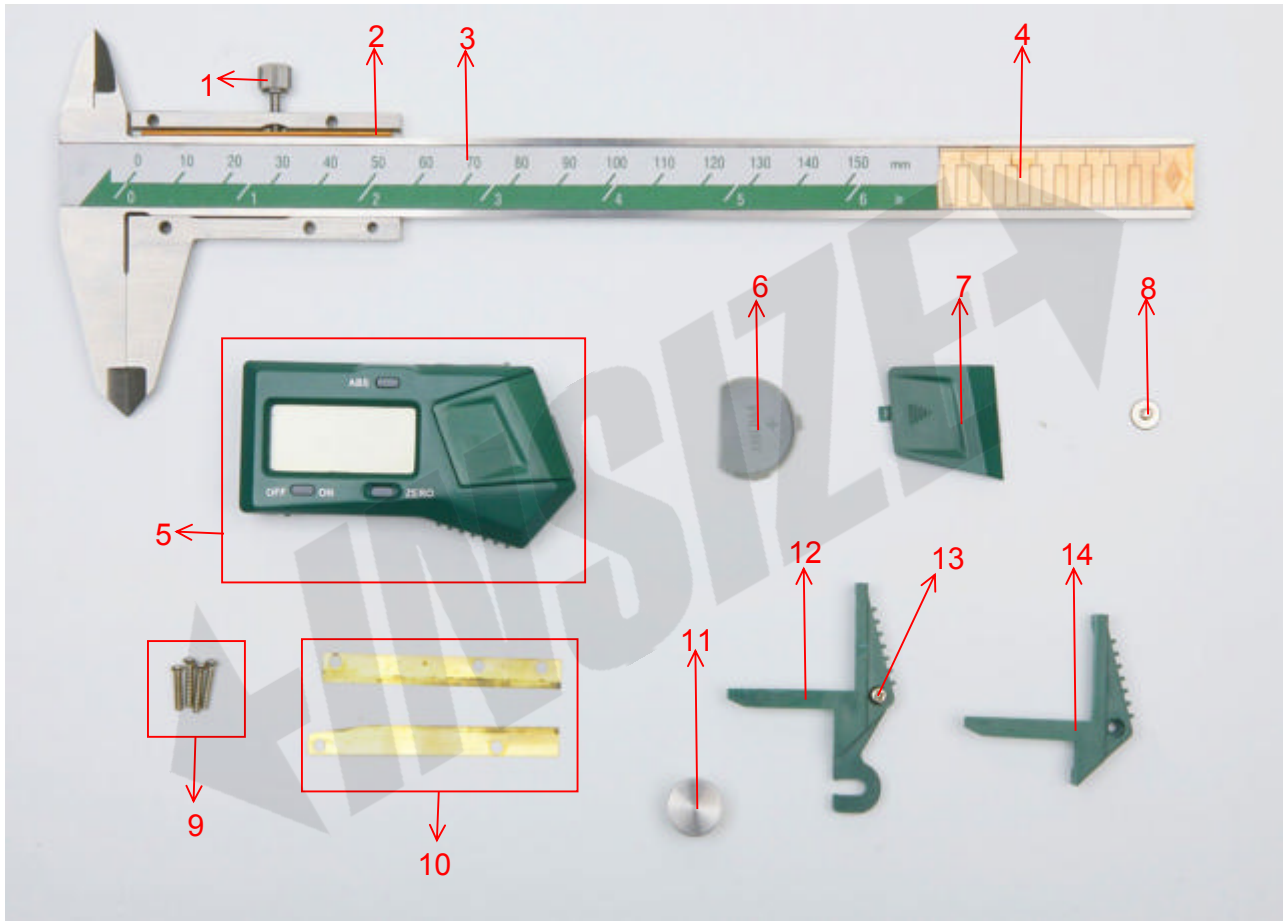


## Spare parts for digital caliper 1109 series



Part NO.	Code	Description
1	SP-LOCK-D1	Locking screw (-150/-200/-300)
2	SP-STRIP-1112	Copper strip
3	SP-STICKER-C150-6	Sticker (-150)
	SP-STICKER-C200-6	Sticker (-200)
	SP-STICKER-C300-6	Sticker (-300)
4	SP-FIXED GRID-1108-150	Fixed grid (-150)
	SP-FIXED GRID-1108-200	Fixed grid (-200)
	SP-FIXED GRID-1108-300	Fixed grid(-300)
5	SP-CHIP-1109	Display unit for 1109 series(include part NO. 6 and 7)
	SP-CHIP-1109-1	Display unit for 1109-150/-200(include part NO. 6,7, 12 and 13)
	SP-CHIP-1109-2	Display unit for 1109-300(include part NO. 6,7, 12 and 13)
6	SP-GASKET-1108	Rubber gasket
7	SP-COVER-1108	Battery cover
8	SP-STOP-D6	Stop screw
9	SP-CHIP SCREW-1108	Chip fixed screw
10	SP-COPPER BACKING-1108-2	Copper backing(0.05mm thickness)
11	SP-WHEEL-GL1	Thumb wheel(-150)
	SP-WHEEL-GL2	Thumb wheel(-200)
	SP-WHEEL-GL3	Thumb wheel(-300)
12	SP-SUPPORT-1108-3	Thumb wheel support (-150)
	SP-SUPPORT-1108-4	Thumb wheel support (-200)
	SP-SUPPORT-1108-5	Thumb wheel support (-300)
13	SP-SUPPORT SCREW-1108	Support fixed screw
14	SP-SUPPORT-1108-4W	Support without thumb roller (-150/-200)
	SP-SUPPORT-1108-5W	Support without thumb roller (-300)