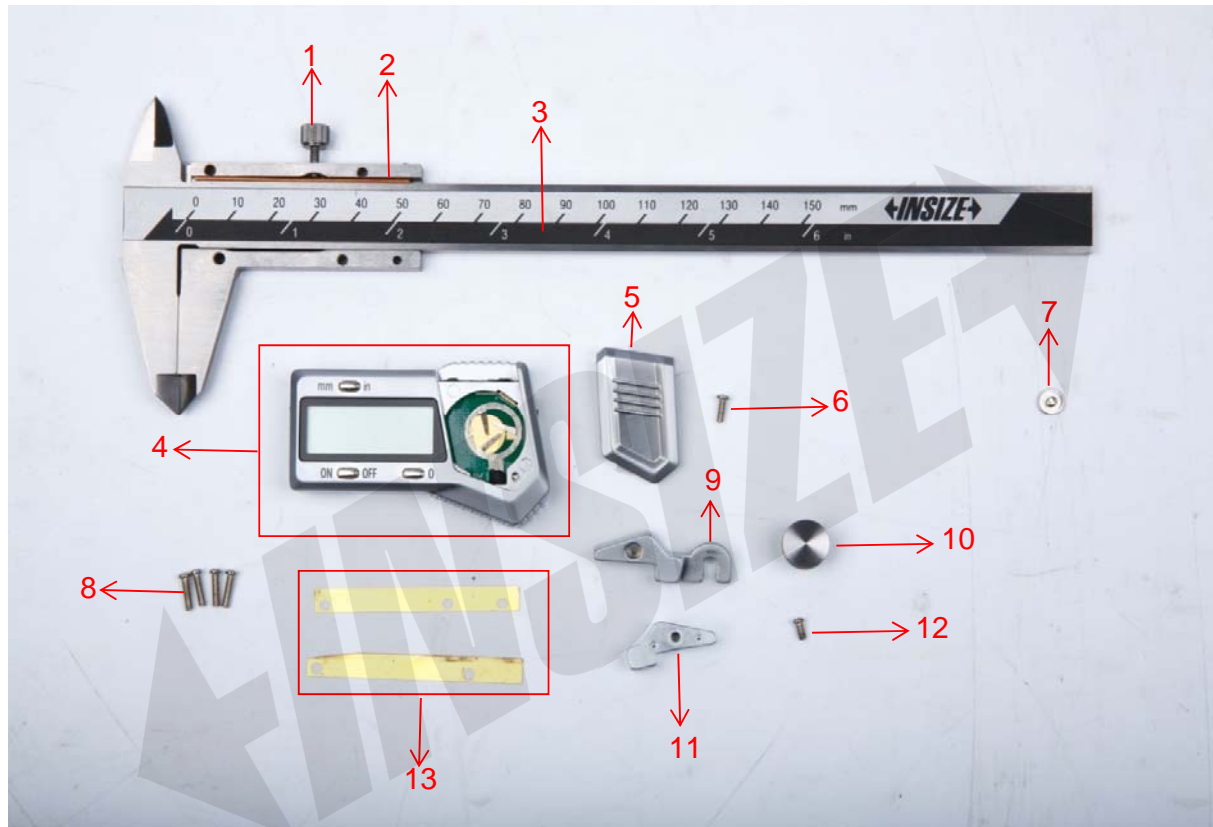


Spare parts for digital caliper 1114 series



Part NO.	Code	Description
1	SP-LOCK-D1	Locking screw (-150A/-200A/-300A)
2	SP-STRIP-1112	Copper strip
3	SP-STICKER-C150-1	Sticker (-150A)
	SP-STICKER-C200-1	Sticker (-200A)
	SP-STICKER-C300-1	Sticker (-300A)
4	SP-CHIP-1114-3	Display unit for 1114series (include part NO. 5, 6)
5	SP-COVER-1114-A	Battery cover
6	SP-COVER SCREW-1114-A	Battery cover screw
7	SP-STOP-D6	Stop screw
8	SP-CHIP SCREW-1114	Chip fixed screw
9	SP-SUPPORT-1114-3	Thumb wheel support 1114-150A/200A /300A (16mm width)
	SP-SUPPORT-1114-4	Thumb wheel support 1114-300A with 17mm width main scale
10	SP-WHEEL-GL2	Thumb wheel for 1114-150A/200A with 3.6mm thickness main scale
	SP-WHEEL-GL3	Thumb wheel for 1114-300A with 3.8mm thickness main scale
11	SP-SUPPORT-1114-5	Support without thumb roller
12	SP-SUPPORT SCREW-1114	Support screw
13	SP-COPPER BACKING-1108-2	Copper backing(0.05mm thickness)