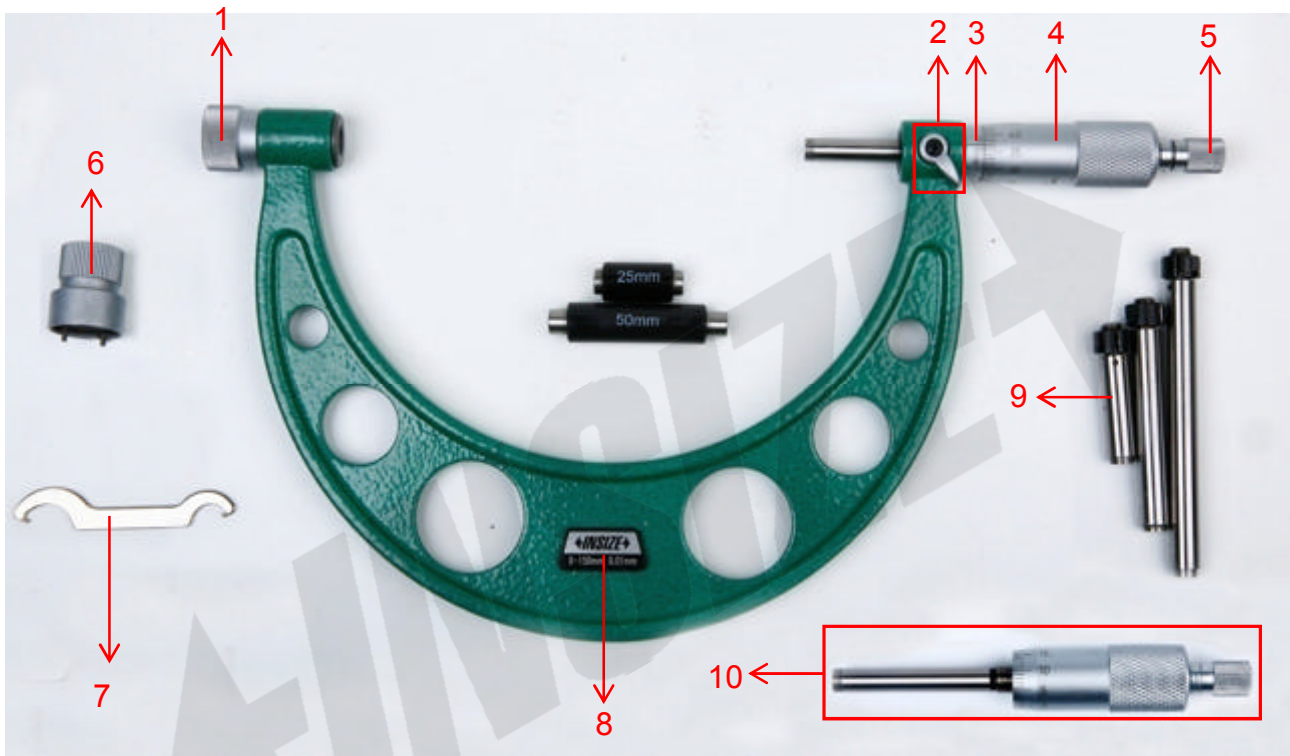


## Spare parts for outside micrometer 3206 series



Part NO.	Code	Description
1	SP-MIC-LOCK-3206	Locking nut
2	SP-MIC-LOCK-2	Locking device
3	SP-SLEEVE-Z-25	Fixed sleeve-25
	SP-SLEEVE-Z-50	Fixed sleeve-50
	SP-SLEEVE-Z-75	Fixed sleeve-75
	SP-SLEEVE-Z-100	Fixed sleeve-100
	SP-SLEEVE-INCH	Fixed sleeve for imperial (within 12")
	SP-SLEEVE-INCH-1	Fixed sleeve for imperial (over 12")
4	SP-THIMBLE-1	Rotated thimble
	SP-THIMBLE-IN-1	Rotated thimble for imperial
5	SP-RACHET-2	Merauring force device
6	SP-WRENCH-3	Ratchet wrench
7	SP-WRENCH-2	Locking wrench
8	SP-FRAME-3206-50A	Frame cover(-50A)
	SP-FRAME-3206-100A	Frame cover(-100A)
	SP-FRAME-3206-150A	Frame cover(-150A)
	SP-FRAME-3206-151A	Frame cover(-151A)
	SP-FRAME-3206-200A	Frame cover(-200A)
	SP-FRAME-3206-300A	Frame cover(-300A)
	SP-FRAME-3206-301A	Frame cover(-301A)

9	SP-Anvil-3206-0	Interchangeable anvil for mertric micrometer (the diameter of the spindle is 6.5mm)
	SP-Anvil-3206-25	
	SP-Anvil-3206-50	
	SP-Anvil-3206-75	
	SP-Anvil-3206-100	
	SP-Anvil-3206-125	
	SP-Anvil-3206-0-B	Interchangeable anvil for mertric micrometer (the diameter of the spindle is 8mm)
	SP-Anvil-3206-25-B	
	SP-Anvil-3206-50-B	
	SP-Anvil-3206-75-B	Interchangeable anvil for imperial micrometer (the diameter of the spindle is .256")
	SP-Anvil-3206-0-IN	
	SP-Anvil-3206-1-IN	
	SP-Anvil-3206-2-IN	
	SP-Anvil-3206-3-IN	
	SP-Anvil-3206-4-IN	Interchangeable anvil for imperial micrometer (the diameter of the spindle is .315")
	SP-Anvil-3206-5-IN	
SP-Anvil-3206-0-IN-B		
SP-Anvil-3206-1-IN-B		
10	SP-MICROMETER HEAD-3206-301	Micrometer Head(-301)
	SP-MICROMETER HEAD-3206-400	Micrometer Head(-400)
	SP-MICROMETER HEAD-3206-500	Micrometer Head(-500)
	SP-MICROMETER HEAD-3206-800	Micrometer Head(-800)
	SP-MICROMETER HEAD-3206-20	Micrometer Head for 3206-20