

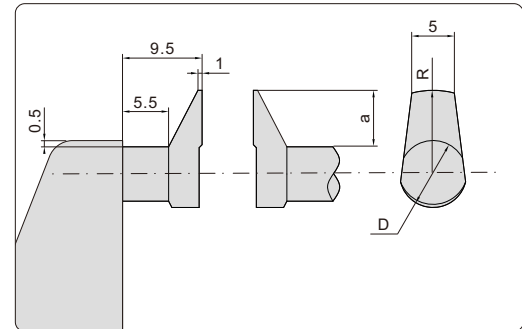
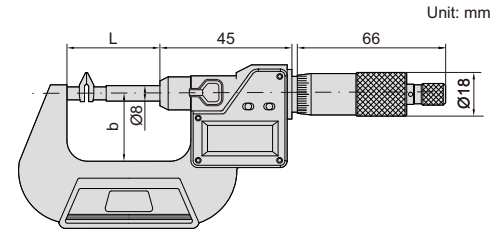
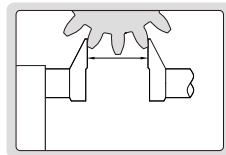
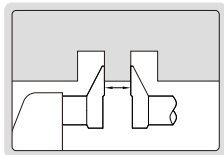
DIGITAL JAW TYPE MICROMETERS

DATA
OUTPUT

NON-ROTATING
SPINDLE



3583-25A



- Resolution 0.001mm/0.00005"
- Non-rotating spindle
- Button function: on/off, set, mm/inch, ABS/INC
- Data output
- LR44 battery, automatic power off
- Ratchet stop
- Supplied with setting standards (except 0-25mm/0-1")
- Optional accessory: data output cable (code 7315-, 7302-, 7305-)

(mm)

Code	Range	Accuracy	L	a	b	R	D
3583-25A	0-25mm/0-1"	±4µm	43	6.5	32	10	8
3583-50A	25-50mm/1-2"	±4µm	85	6.5	44.5	10	8
3583-75A	50-75mm/2-3"	±5µm	110	6.5	57	10	8
3583-100A	75-100mm/3-4"	±5µm	135	6.5	70	10	8
3583-125A	100-125mm/4-5"	±6µm	160	11.5	86	15	12
3583-150A	125-150mm/5-6"	±6µm	186	11.5	94.5	15	12
3583-175A	150-175mm/6-7"	±7µm	211	11.5	107	15	12
3583-200A	175-200mm/7-8"	±7µm	236	11.5	120	15	12