

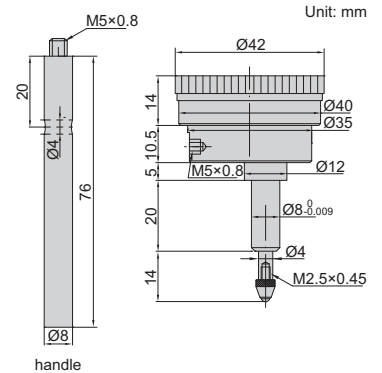


## BACK PLUNGER TYPE DIAL INDICATOR

handle (included)



2357-5



- Supplied with handle
- With limit pointers
- Optional accessory: contact points (page 111~113)

Code	Range	Graduation	Accuracy	Hysteresis	Range/rev	Dial reading
2357-5*	5mm	0.01mm	15µm	5µm	1mm	0-100

\*Supplied with manufacturer inspection certificate traceable to NIST USA



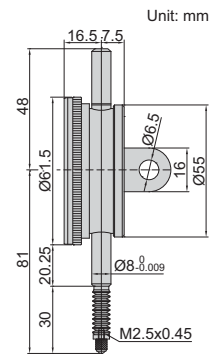
## WATERPROOF DIAL INDICATORS

IP54  
WATERPROOF



2324-10A

- Meet DIN878
- IP54 dust/waterproof
- With limit pointers
- Optional accessory: backs (page 114~115), contact points (page 111~113)



Code	Range	Graduation	Accuracy	Hysteresis	Range/rev	Dial reading	Remark
2324-10FA*	10mm	0.01mm	17µm	3µm	1mm	0-100	flat back
2324-10A*	10mm	0.01mm	17µm	3µm	1mm	0-100	lug back

\*Supplied with manufacturer inspection certificate traceable to NIST USA



## DOUBLE FACE DIAL INDICATOR

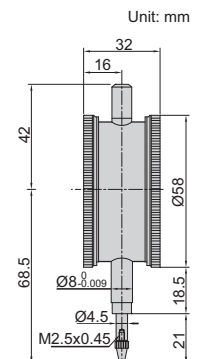


front

back

2328-10

- Meet DIN878
- Read from both sides
- Jeweled bearing
- Supplied with limit pointers
- Optional accessory: contact points (page 111~113)



Code	Range	Graduation	Accuracy	Hysteresis	Range/rev	Dial reading
2328-10*	10mm	0.01mm	17µm	3µm	1mm	0-100

\*Supplied with manufacturer inspection certificate traceable to NIST USA