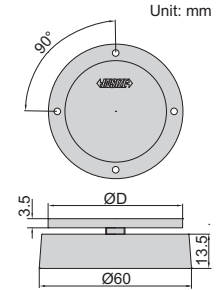


MAGNETIC BACKS

| Code | ØD | For digital/dial indicators |
|---------|------|-----------------------------|
| 7331-M1 | 51.5 | 2103 |
| | | 2104 |
| | | 2108 |
| | | 2109 |
| | | 2112 |
| | | 2113 |
| | | 2115 |
| | | 2116 |
| | | 2117 |
| | | 2118 |
| | | 2301 |
| | | 2302 |
| 2308 | | |



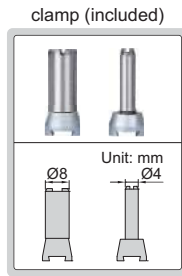
| Code | ØD | For digital/dial indicators |
|---------|------|---------------------------------|
| 7331-M1 | 51.5 | 2309 (except 2309-30, 2309-30F) |
| | | 2313 |
| | | 2314 |
| | | 2316 |
| | | 2801 |
| 7331-M2 | 54 | 2318 |



7

DIAL TEST INDICATORS

- Meet DIN2270 (except **2380-02**, **2381-02**)
- Jeweled bearing
- Carbide contact point
- Two measuring directions
- Anti magnetic body
- Supplied with two clamps: diameter Ø4mm and Ø8mm
- Optional accessory: styli (page 117)

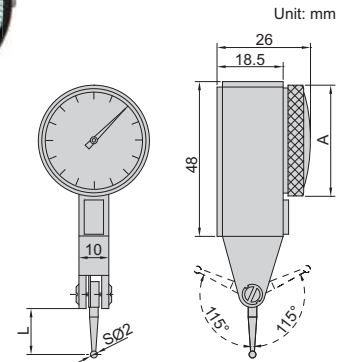


| Code | Range | Graduation | Accuracy | Hysteresis | Dial reading | A | L |
|-----------------|-------|------------|----------|------------|--------------|-----|------|
| 2380-08* | 0.8mm | 0.01mm | 13µm | 3µm | 0-40-0 | Ø30 | 13.5 |
| 2381-08* | 0.8mm | 0.01mm | 13µm | 3µm | 0-40-0 | Ø37 | 13.5 |
| 2380-02* | 0.2mm | 0.002mm | 6µm | 2µm | 0-100-0 | Ø30 | 12.5 |
| 2381-02* | 0.2mm | 0.002mm | 6µm | 2µm | 0-100-0 | Ø37 | 12.5 |

*Supplied with manufacturer inspection certificate traceable to NIST USA

JEWELLED BEARING

INSPECTION CERTIFICATE
TRACEABLE TO NIST

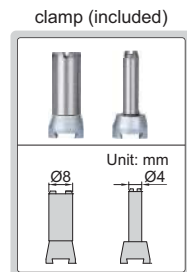


BACK PLUNGER TYPE DIAL TEST INDICATOR

INSPECTION CERTIFICATE
TRACEABLE TO NIST

JEWELLED BEARING

- Meet DIN2270
- Jeweled bearing
- Carbide contact point
- Two measuring directions
- Anti magnetic body
- Supplied with two clamps: diameter Ø4mm and Ø8mm
- Optional accessory: styli (page 117)



| Code | Range | Graduation | Accuracy | Hysteresis | Dial reading |
|-----------------|-------|------------|----------|------------|--------------|
| 2398-08* | 0.8mm | 0.01mm | 13µm | 3µm | 0-40-0 |

*Supplied with manufacturer inspection certificate traceable to NIST USA

