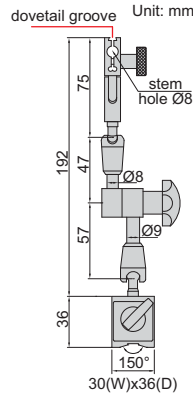


ATTENTION: FOR DIAL TEST INDICATORS ONLY

- For dial test indicators
- With fine adjustment and dovetail groove

Code	Magnetic force	Applicable holding stem
6224-40	40kgf	Ø8mm



MINI MAGNETIC STAND



6224-40

ATTENTION: FOR DIAL TEST INDICATORS ONLY

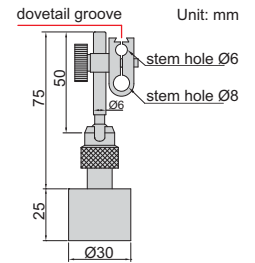
- For dial test indicators
- With dovetail groove

Code	Magnetic force	Applicable holding stem
6211-10	10kgf	Ø6mm, Ø8mm



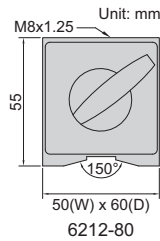
6211-10

MINI MAGNETIC STAND

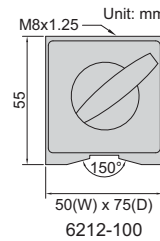


MAGNETIC BASES

Code	Magnetic force
6212-80	80kgf
6212-100	100kgf



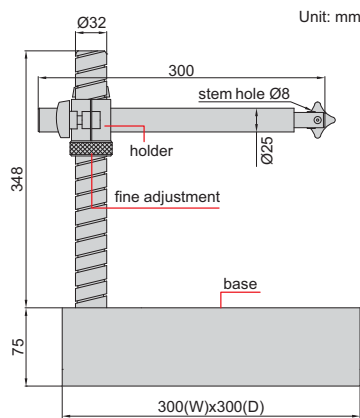
6212-80



6212-100

GRANITE DIAL INDICATOR STAND

- Vertical travel of holder: 250mm
- Fine adjustment range: entire stroke
- Supplied with dust cover



6867-250

Code	Applicable holding stem	Base
6867-250	Ø8mm	flatness 2.8µm