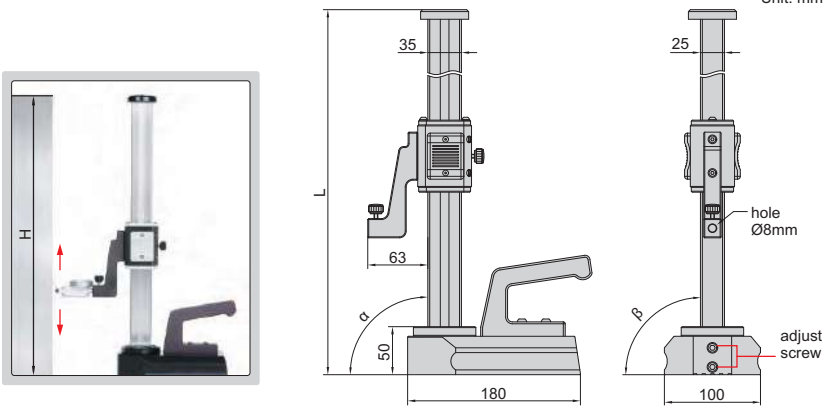


PERPENDICULARITY TESTERS



4770-300

- Optional accessory: dial test indicators (graduation: 1µm or 2µm)

Code	Range (H)	Perpendicularity (α)	Side perpendicularity (β)	L
4770-300	0-300mm	3µm	10µm	460mm
4770-600	0-600mm	5µm	20µm	760mm

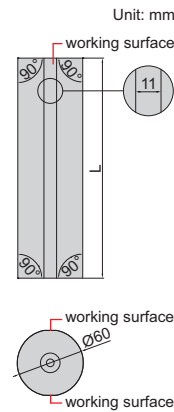
CYLINDER SQUARES



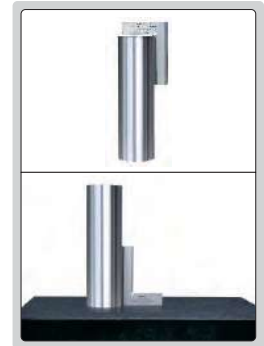
- Made of special alloy steel, hardness HRC58-60
- The handle can be removed



4710-200



inspect 90° internal and external angles



Code	Length (L)	Squareness
4710-200*	200mm	1µm
4710-300*	300mm	2µm

\* Supplied with manufacturer inspection certificate

CUSTOM-MADE  
SUPPLY SPECIAL SIZES ACCORDING  
TO CUSTOMER'S REQUEST

GRANITE SQUARES

Code	Size (HxW)	Flatness of A	Flatness of B	Squareness of A to B	D
4141-250	250x160mm	1µm	1µm	2µm	25mm
4141-400	400x250mm	1.5µm	1µm	3µm	40mm
4141-630	630x400mm	2µm	1.5µm	4µm	63mm



4141-250

