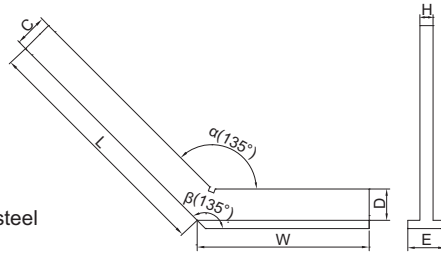


135° SQUARES WITH WIDE BASE



- Made of hardened stainless steel

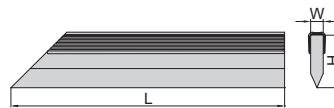


4754-3120

Code	Size (LxW)	Accuracy		C	D	H	E
		Inside (α)	Outside (β)				
4754-3120	120x80mm	31 μ m	33 μ m	20mm	20mm	5mm	20mm
4754-3150	150x100mm	34 μ m	36 μ m	20mm	20mm	5mm	20mm
4754-3200	200x130mm	39 μ m	41 μ m	30mm	30mm	7mm	30mm
4754-3250	250x165mm	44 μ m	46 μ m	30mm	30mm	7mm	30mm
4754-3300	300x175mm	49 μ m	51 μ m	35mm	35mm	7mm	35mm

STRAIGHT EDGES

Code	Size (L)	Straightness	W	H
4700-50	50mm	2.2 μ m	5mm	20mm
4700-75	75mm	2.3 μ m	5mm	25mm
4700-100	100mm	2.4 μ m	5mm	25mm
4700-125	125mm	2.5 μ m	6mm	30mm
4700-150	150mm	2.6 μ m	6mm	30mm
4700-200	200mm	2.8 μ m	6mm <td 30mm	
4700-250	250mm	3.0 μ m	8mm	40mm
4700-300	300mm	3.2 μ m	8mm	40mm
4700-400	400mm	3.6 μ m	10mm	50mm
4700-500	500mm	4.0 μ m	10mm	50mm



4700-100

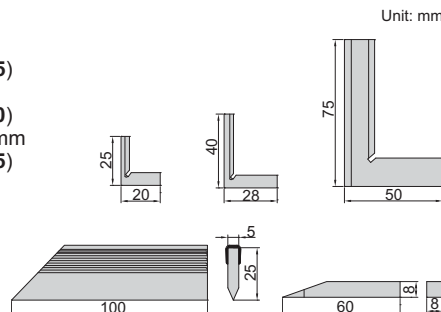
- DIN874
- Beveled edge
- Made of hardened stainless steel
- Satin chrome plating

10

SQUARE SET

- Includes:
 - 90° tool maker square 25x20mm DIN875 grade 00 (code **4794-025**)
 - 90° tool maker square 40x28mm DIN875 grade 00 (code **4794-040**)
 - 90° beveled edge square 75x50mm DIN875 grade 00 (code **4790-075**)
 - straight edge 100mm DIN874 (code **4700-100**)
 - scriber

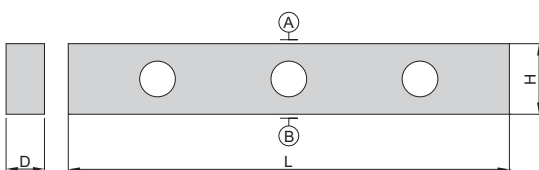
- Made of hardened stainless steel



4702-1

Code
4702-1

GRANITE STRAIGHT EDGES



4147-500A

Code	Length (L)	Flatness of A and B	Parallelism between A and B	D	H
4147-500A	500mm	2.1 μ m	3.2 μ m	50mm	80mm
4147-1000A	1000mm	3 μ m	4.5 μ m	60mm	120mm