

DATA OUTPUT

ATTENTION: ACTUAL SLOT WIDTH IS 1/10 OF THE READING

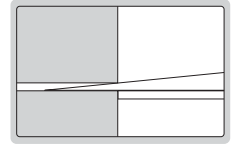
DIGITAL TAPER SLOT GAGES

- Measuring opening, slot width
- Resolution: 0.01mm/0.0005"
- Buttons: on/off, zero, mm/inch
- Automatic power off, move the digital unit to turn on power
- Battery CR2032, data output
- Made of stainless steel
- Optional accessory: data output cable (code 7315-, 7302-, 7305-, for taper slot gages without built-in wireless)

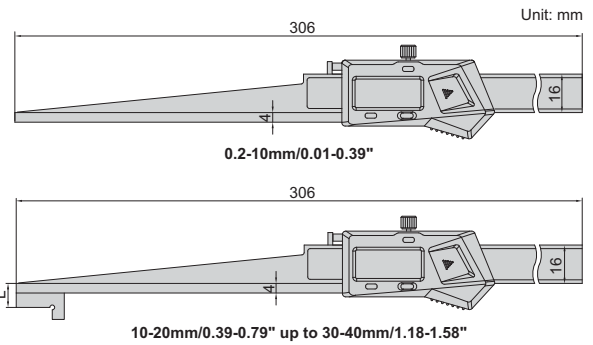


1160-10

measure slot width

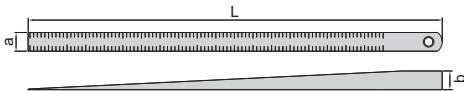


Code	Range	Accuracy	L	Wireless
1160-10	0.2-10mm/0.01-0.39"	±0.03mm	—	no
1160-10WL	0.2-10mm/0.01-0.39"	±0.03mm	—	built-in wireless
1160-20	10-20mm/0.39-0.79"	±0.05mm	10mm	no
1160-20WL	10-20mm/0.39-0.79"	±0.05mm	10mm	built-in wireless
1160-30	20-30mm/0.79-1.18"	±0.05mm	20mm	no
1160-30WL	20-30mm/0.79-1.18"	±0.05mm	20mm	built-in wireless
1160-40	30-40mm/1.18-1.58"	±0.05mm	30mm	no
1160-40WL	30-40mm/1.18-1.58"	±0.05mm	30mm	built-in wireless



11

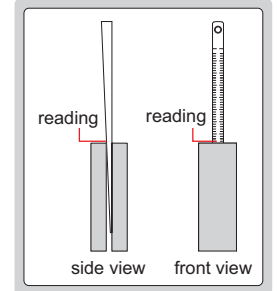
TAPER SLOT GAGES



- For quick measurement of slot width
- Satin chrome plated reading surface
- Made of stainless steel



4630-1



Code	Range	Graduation	Accuracy	L	a	b
4630-3	0.4-6mm	0.05mm	±0.04mm	164mm	12.5mm	6.5mm
4630-1	0.5-10mm	0.05mm	±0.07mm	220mm	10mm	10.5mm
4630-2	0.5-15mm	0.1mm	±0.08mm	184mm	12.5mm	16.5mm

TAPER GAGE SET



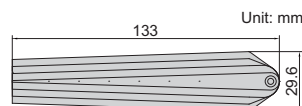
front

back

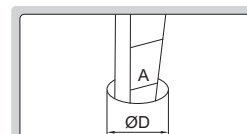
4837-1

- Include 4 pcs (1~8mm, 8~15mm, 15~22mm, 22~29mm)
- Measure opening, slot width, hole diameter, etc.
- Diameter correction table on the back
- Made of stainless steel

Code	Range	Graduation	Accuracy
4837-1	1-29mm	0.05mm	±0.05mm



measure diameter of hole



When measuring diameter of holes, correction on reading is needed due to the thickness of taper gage. For example, when reading A is 14.96mm, diameter ØD is 15mm.

measure slot width

