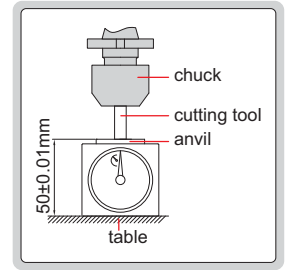
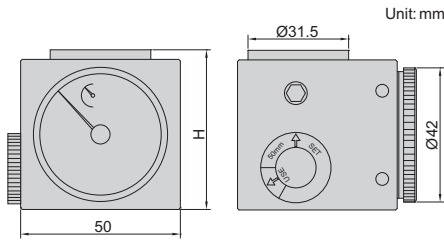


ZERO SETTER

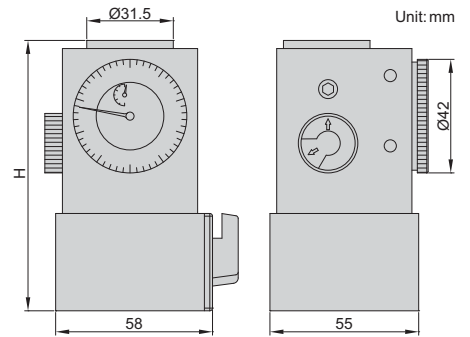
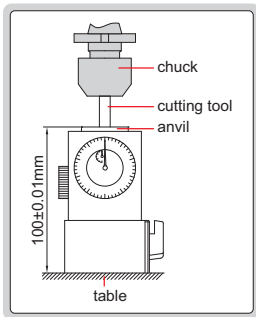
- Magnetic base



2397-502A

Code	Height (H)	Accuracy	Test force
2397-502A	50mm	±10µm	9N (at 50mm)

ZERO SETTER



2394-100A

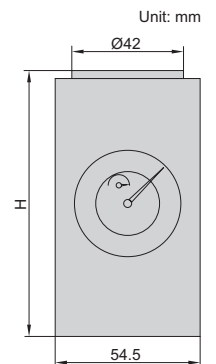
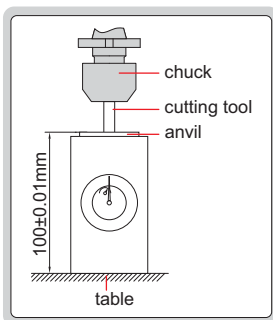
- Magnetic base with on-off switch

Code	Height (H)	Accuracy	Test force
2394-100A	100mm	±10µm	9N (at 100mm)

LOW TEST FORCE

LOW TEST FORCE ZERO SETTER

INSIZE PLUS  
MADE IN GERMANY



6555-100B

- Magnetic base
- Low test force, suitable for micro tools with minimum diameter Ø0.1mm

Code	Height (H)	Accuracy	Test force
6555-100B	100mm	±10µm	1N (at 100mm)