

## DIGITAL HEIGHT GAGES WITH DRIVING WHEEL (NON-WATERPROOF)

DATA  
OUTPUT

- Resolution: 0.01mm/0.0005"
- Buttons: on/off, zero, mm/inch, preset +, preset -, hold
- Automatic power off, move the digital unit to turn on power
- Carbide tipped scriber
- Made of stainless steel
- Battery CR2032
- Data output
- Supplied with dust cover
- With dial test indicator holder
- Optional accessory: data output cable (code 7315-, 7302-, 7305-), clamp for protractors (code 2372-CLAMP)

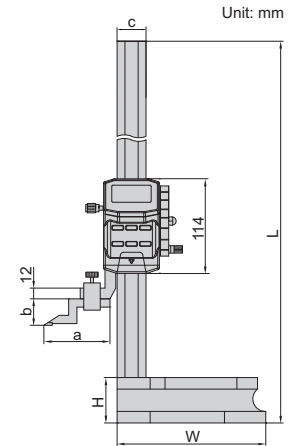


1156-300

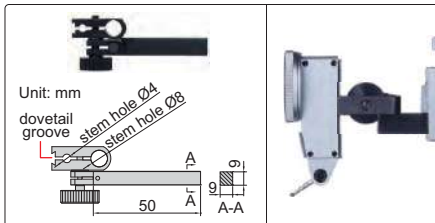
front

1156-1000

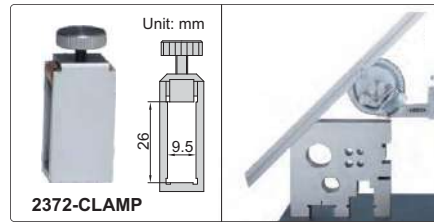
side



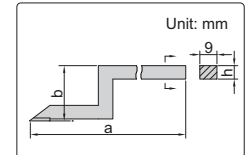
dial test indicator holder (included)



clamp for protractors (optional)



scriber (included)



Code	Range	Accuracy	L	W	H	a	b	c	h
1156-300*	0-300mm/0-12"	±0.03mm	515mm	180mm	55mm	80mm	30mm	35mm	9mm
1156-600*	0-600mm/0-24"	±0.05mm	815mm	180mm	55mm	80mm	30mm	35mm	9mm
1156-1000*	0-1000mm/0-40"	±0.07mm	1220mm	265mm	70mm	92mm	48mm	40mm	12mm

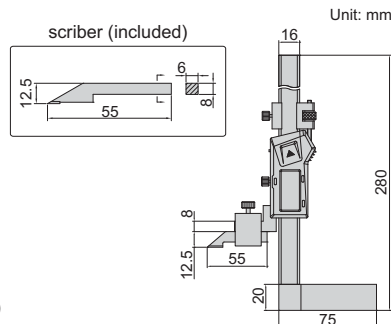
\*Supplied with manufacturer inspection certificate traceable to DKD Germany

DATA  
OUTPUT

ATTENTION: CAN NOT USE CLAMP  
FOR PROTRACTORS (CODE 2372-CLAMP)

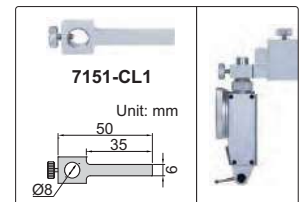
## DIGITAL HEIGHT GAGES (NON-WATERPROOF)

- Resolution: 0.01mm/0.0005"
- Buttons: on/off, zero, mm/inch
- Automatic power off, move the digital unit to turn on power
- Carbide tipped scriber
- With fine adjustment
- Made of stainless steel
- Battery CR2032
- Data output
- Optional accessory: data output cable (code 7315-, 7302-, 7305-, for height gages without built-in wireless), dial test indicator holder (code 7151-CL1)



1154-150

dial test indicator holder (optional)



Code	Range	Accuracy	Wireless
1154-150	0-150mm/0-6"	±0.03mm	no
1154-150WL			built-in wireless